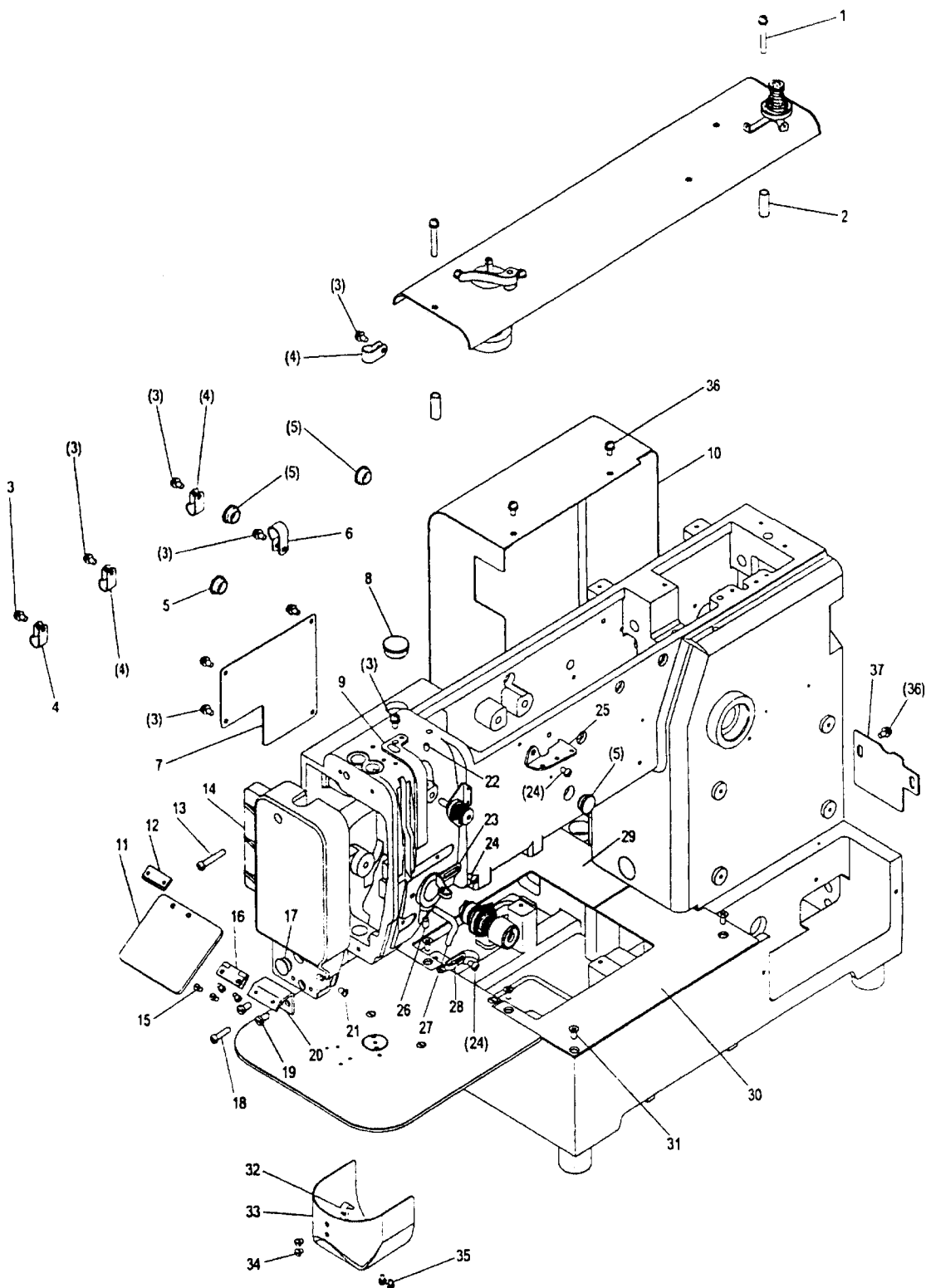


# A. ARM BED AND ITS ACCESSORIES (1)

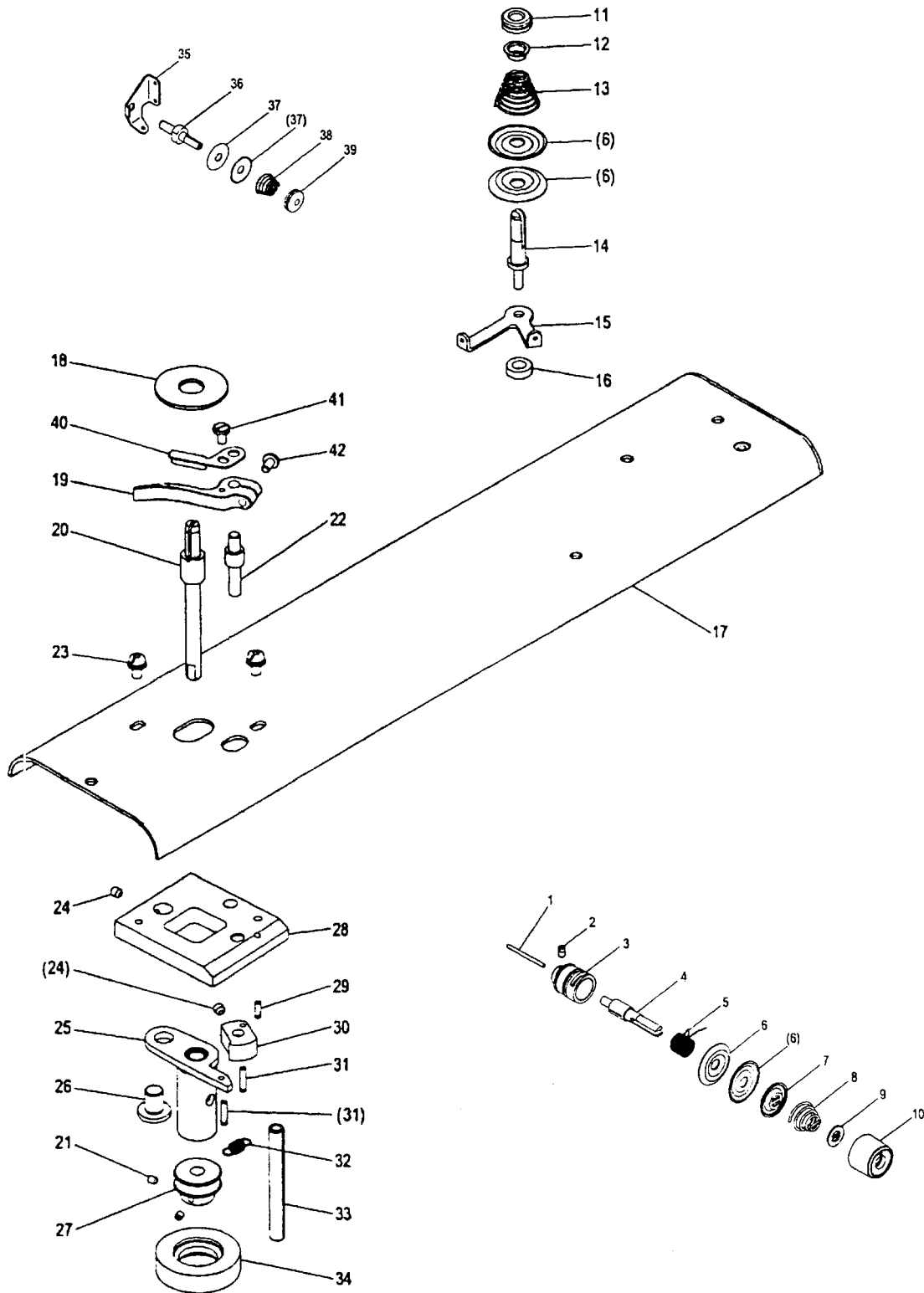


## A.ARM BED AND ITS ACCESSORIES (1)

Fig. No.	Part No.	Description	Pcs.	Remarks
A01	HZ11040300	Screw M4×30	2	M4×30
A02	H6623B8001	Spacer	2	
A03	HZ11040080	Screw M4×8	10	M4×8
A04	H6650H8001	Nylon clip AB-5N	4	AB-5N
A05	H4715B8001	Rubber plug Φ13	4	Φ13
A06	H6648I8001	Nylon clip AB-6N	1	AB-6N
A07	H6611B8001	Cover	1	
A08	HA307B0673	Rubber plug Φ19	2	Φ19
A09	H6689B8001	Thread take-up lever guard	1	
A10	HM021B8001	Motor cover	1	
A11	HM014B8001	Eye guard	1	
A12	H6675B8001	Adapter	1	
A13	HZ11040250	Screw M4×25	1	M4×25
A14	HM019B8001	Face cover	1	
A15	HA104G0654	Screw 1/8(44)×6	4	1/8(44)×6
A16	H6696B8001	Hinge	1	
A17	HA307B0674	Rubber plug Φ11.8	1	Φ11.8
A18	HZ11040200	Screw M4×20	1	M4×20
A19	HA100C2190	Screw 11/64(40)×8	2	11/64(40)×8
A20	HM015B8001	Eye guard bracket	1	
A21	HA106B0676	Screw 9/64(40)×6	1	9/64(40)×6
A22	H431040060	Screw M4×6	1	M4×6
A23	HA600B2050	Thread guide	1	
A24	HZ11040060	Screw M4×6	3	M4×6
A25	HA700B2050	Thread guide	1	
A26	H431050080	Screw M5×8	1	M5×8
A27	H3000B2130	Thread guide	1	
A28	HA106B0675	Thread guide	1	
A29	H6683B8001	X Cover plate (L)	1	
A30	H6684B8001	X Cover plate (R)	1	
A31	HZ11040080	Screw M4×8	6	M4×8
A32	H6691B8001	Latch	1	
A33	H6693B8001	Cylinder cover	1	
A34	H6692B8001	Screw 9/64(40)×3.2	2	9/64(40)×3.2
A35	HZ11030060	Screw M3×6	2	M3×6
A36	HZ11040080	Screw M4×8	6	M4×8
A37	H6674D8001	Cover	1	

## B. ARM BED AND ITS ACCESSORIES (2)

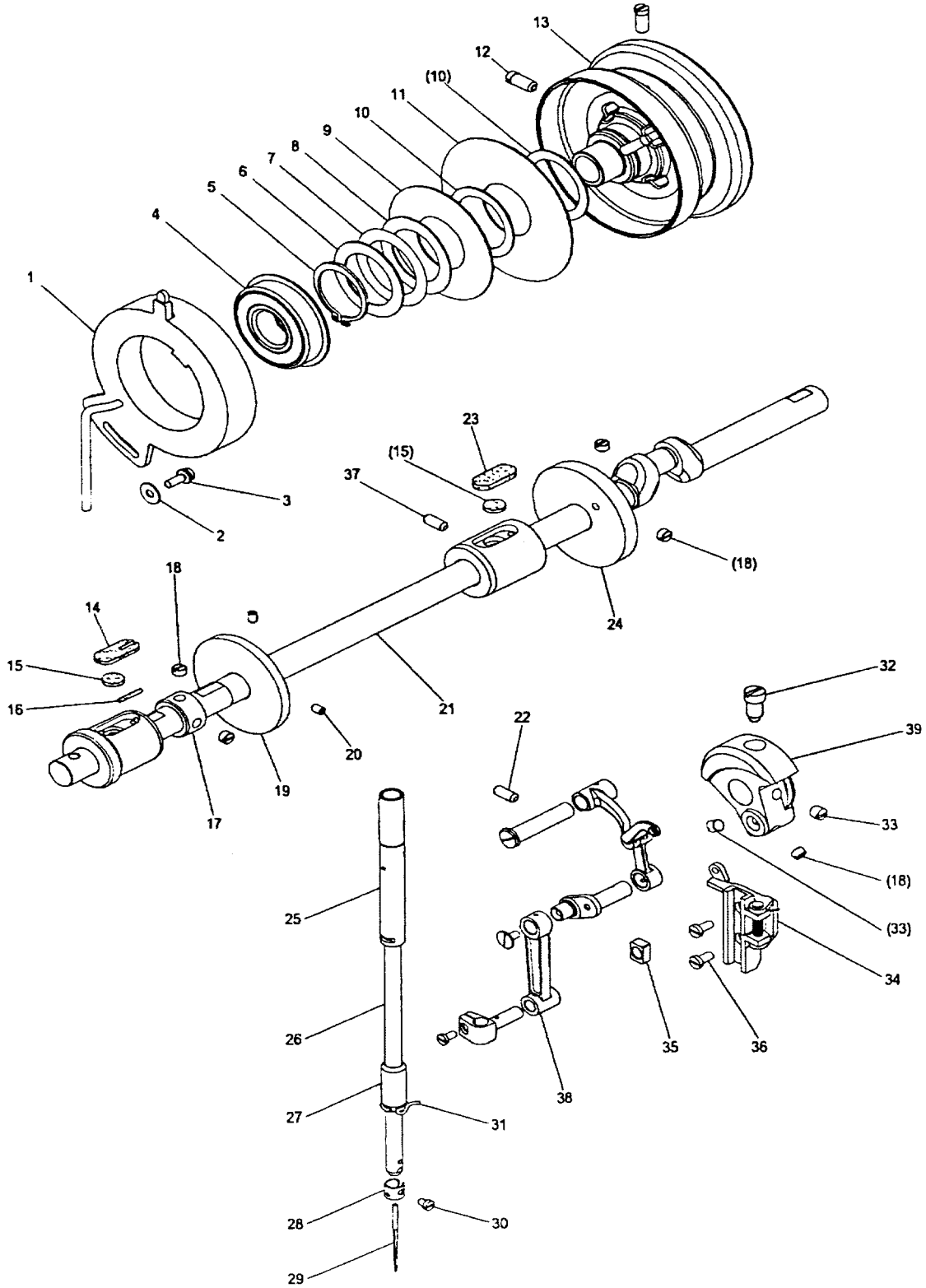
---



## B.ARM BED AND IT'S ACCESSORIES (2)

Fig. No.	Part No.	Description	Pcs.	Remarks
B01	HA115B0709	Pin	1	
B02	HA115B0708	Screw 9/64(40)×4	1	
B03	HA310B0703	Regulator casing	1	
B04	HA115B0701	Thread tension stud	1	
B05	HA115B0706	Thread take-up spring	1	
B06	HA115B0705	Thread tension discs	4	
B07	HA310B0702	Disc retaining plate	1	
B08	H6675C8001	Thread tension spring	1	
B09	HA115B7010	Thumb nut revolution stopper	1	
B10	HA310B0701	Thumb nut	1	
B11	H660GB8001	Thumb nut	1	
B12	H660FB8001	Spring guide	1	
B13	H660EB8001	Thread tension spring	1	
B14	H660HB8001	Thread tension stud	1	
B15	H6662B8001	Thread guide	1	
B16	H6663B8001	Spacer	1	
B17	HM012B8001	Top cover	1	
B18	H6656B8001	Spacer	1	
B19	H6651B8001	Lever	1	
B20	H6648B8001	Driven shaft	1	
B21	HS90131901	Screw M3×4	2	M3×4
B22	H6649B8001	Shaft	1	
B23	HZ11040100	Screw M4×10	2	M4×10
B24	HS90131909	Screw M4×4	2	M4×4
B25	H6645B7101	Lever	1	
B26	H6650B8001	Pin	1	
B27	H6657B8001	Wheel	1	
B28	H6644B8001	Bracket	1	
B29	H6659B8001	Pin Φ2.5×8	1	Φ2.5×8
B30	H6652B8001	Cam	1	
B31	H6660B8001	Pin Φ2.5×12	2	Φ2.5×12
B32	H6653B8001	Spring	1	
B33	H6655B8001	Pin Φ6×56	1	Φ6×56
B34	H6658B8001	Tire	1	
B35	HA710B0674	Thread guide	1	
B36	HA710B0673	Thread tension stud	1	
B37	HA112B0693	Thread tension discs	2	
B38	HA710B0672	Thread tension spring	1	
B39	HA710B0671	Thumb nut	1	
B40	H662EB8001	Adjuster plate	1	
B41	H662DB8001	Screw 9/64(40)×6.5	1	9/64(40)×6.5
B42	H3100B2100	Screw 9/64(40)×11	1	9/64(40)×11

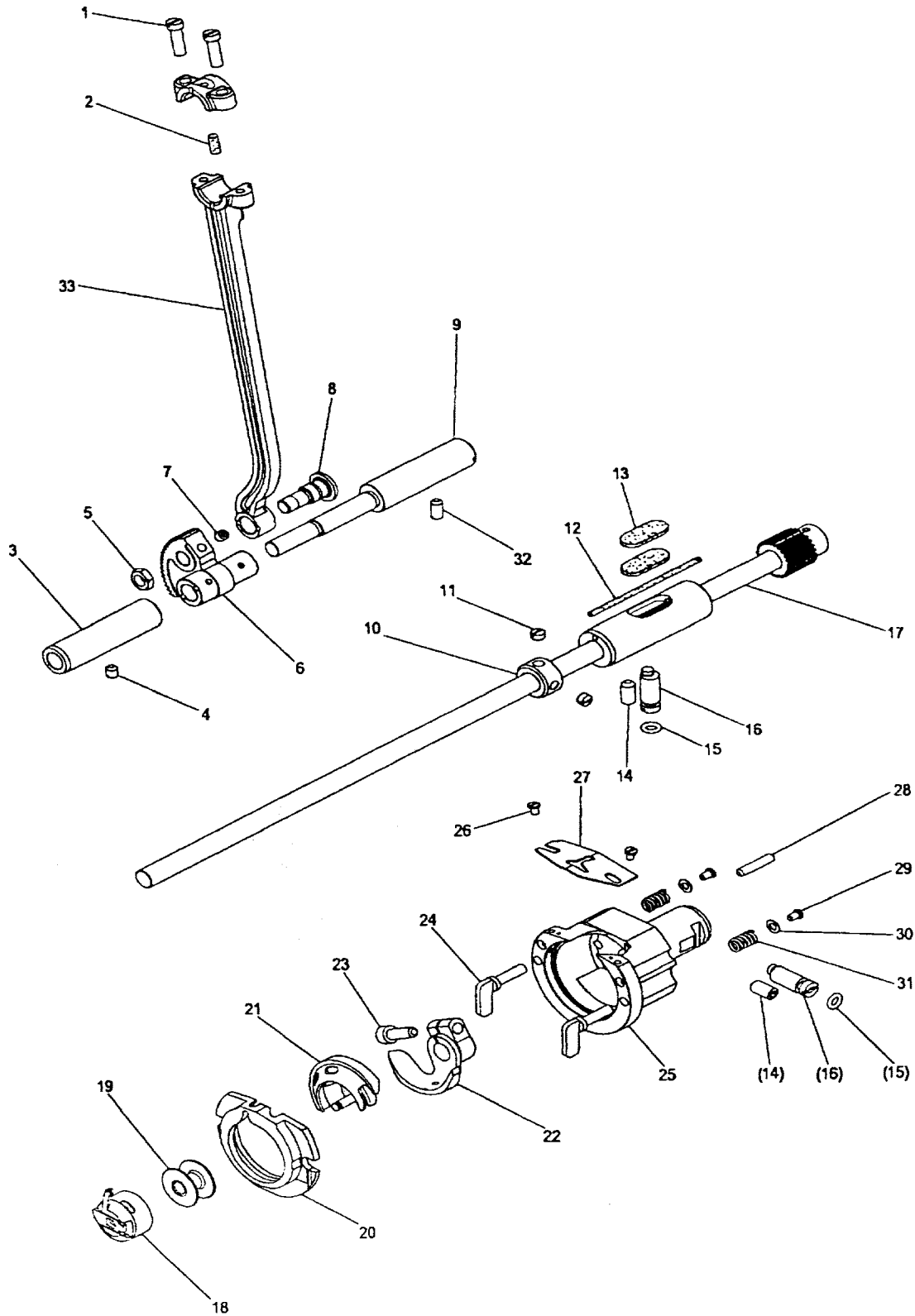
# C.SEWING MECHANISM (1)



## C.SEWING MECHANISM 1

Fig. No.	Part No.	Description	Pcs.	Remarks
C01	H6630I8001	Detector	1	
C02	H6685D8001	Washer 4	1	M4
C03	HS90329935	Screw M4×12	1	M4×12
C04	H3205J0662	Ball bearing	1	
C05	H007009300	C-type retaining ring 30	1	M30
C06	HA700R0060	Washer	1	
C07	HA700R0050	Wave washer	1	
C08	HA700R0040	Spacer B	1	
C09	H6680C8001	Command disk F20 (up)	1	
C10	HA700R0030	Spacer A	2	
C11	H6681C8001	Command disk K10 (down)	1	
C12	HA110D0672	Screw 15/64(28)×12	2	15/64(28)×12
C13	H6679C8001	Pulley	1	
C14	H2009B0743	Felt	1	
C15	H6616B8001	Felt	2	
C16	H2009B0742	Felt	1	
C17	HA108G0661	Collar	1	
C18	HA105D0662	Screw 1/4(40)×4	5	1/4(40)×4
C19	H6608C8001	Pulley	1	
C20	H431040060	Screw M4×6	2	M4×6
C21	HM004C8001	Drive shaft	1	
C22	HS90101012	Screw M5×12	1	M5×12
C23	H2009B0731	Felt	1	
C24	H6606F8001	Thread trimmer cam	1	
C25	H6612B8001	Needle bar bushing(upper)	1	
C26	H6624C8001	Needle bar	1	
C27	H6613B8001	Needle bar bushing(lower)	1	
C28	H6625C8001	Thread guide	1	
C29	HM010C8001	Needle DP×17#18	1	DP×17#18
C30	HA100C2170	Screw 1/8(44)×4.5	1	1/8(44)×4.5
C31	HA300C2070	Thread guide	1	
C32	HA100C2070	Set screw 9/32(28)	1	9/32(28)
C33	HA307C0662	Screw 1/4(40)×6	2	1/4(40)×6
C34	HM005C7101	Guide assy	1	
C35	HA100C2200	Square block	1	
C36	H6623C8001	Screw M4×8	2	M4×8
C37	H901310010	Screw M5×10	1	M5×10
C38	H6611C7101	Thread take-up lever assy	1	
C39	H6607C8001	Crank	1	

## D.SEWING MECHANISM (2)



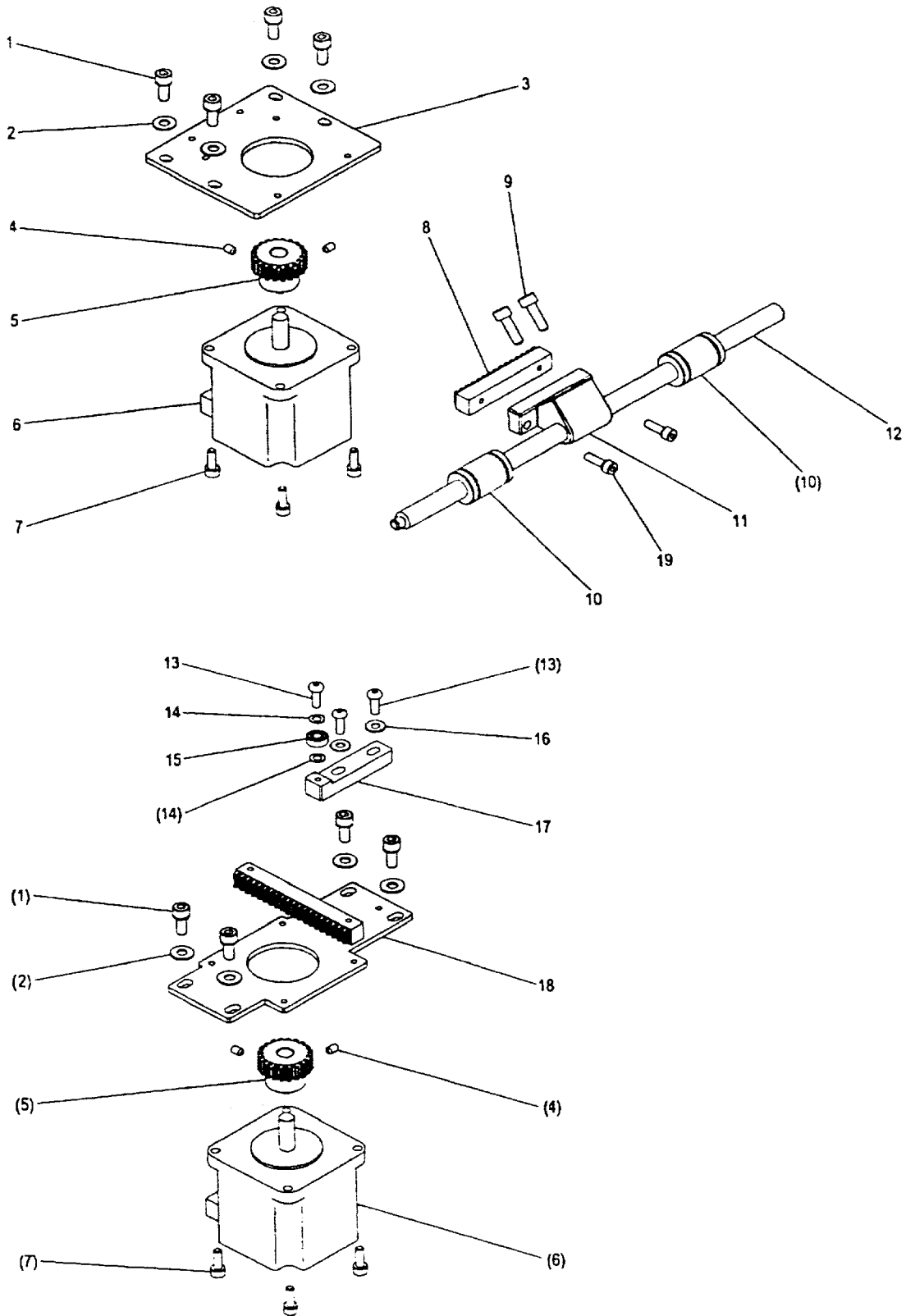
## D.SEWING MECHANISM (2)

Fig. No.	Part No.	Description	Pcs.	Remarks
D01	HA304G0656	Screw 3/16 (28) × 15	2	3/16 (28) × 15
D02	H6634C8001	Felt	1	
D03	H6628B8001	Bushing	1	
D04	HS90101006	Screw M5 × 6	1	M5 × 6
D05	H2010J0066	Nut 9/32 (28)	1	9/32 (28)
D06	H6631C8001	Sector gear	1	
D07	H431050050	Screw M5 × 5	1	M5 × 5
D08	H6630C8001	Screw 9/32 (28)	1	9/32 (28)
D09	H6635C8001	Rock shaft	1	
D10	H6670C8001	Collar	1	
D11	HA305E0662	Screw 15/64 (28) × 4.5	2	15/64 (28) × 4.5
D12	H6627B8001	Oil braid	1	
D13	H2009B0743	Felt	2	
D14	HS90131112	Screw M6 × 12	2	M6 × 12
D15	HA115B7011	O-ring	2	
D16	H6648C8001	Eccentric shaft	2	
D17	H6637C7101	Hook shaft assy	1	
D18	H6655C8001	Bobbin case	1	
D19	H6656C8001	Bobbin	1	
D20	H6674C8001	Hook retainer	1	
D21	H6673C8001	Inner hook	1	
D22	H6654C8001	Hook driver	1	
D23	HS90321016	Bolt M5 × 16	1	M5 × 16
D24	H6646C8001	Hook clamp	2	
D25	H6642C8001	Outer hook	1	
D26	H6658C8001	Screw 1/8 (40) × 4	2	1/8 (40) × 4
D27	H6657C8001	Thread guide	1	
D28	H6651C8001	Pin M6-4 × 18	1	
D29	H6643C8001	Screw 1/8 (44) × 4.5	2	1/8 (44) × 4.5
D30	H6644C8001	Washer	2	
D31	H6645C8001	Spring	2	
D32	HS90101012	Screw M5 × 12	1	M5 × 12
D33	H6628C7101	Connecting rod assy	1	1/4 (40) × 6



# E.X-Y MECHANISM (1)

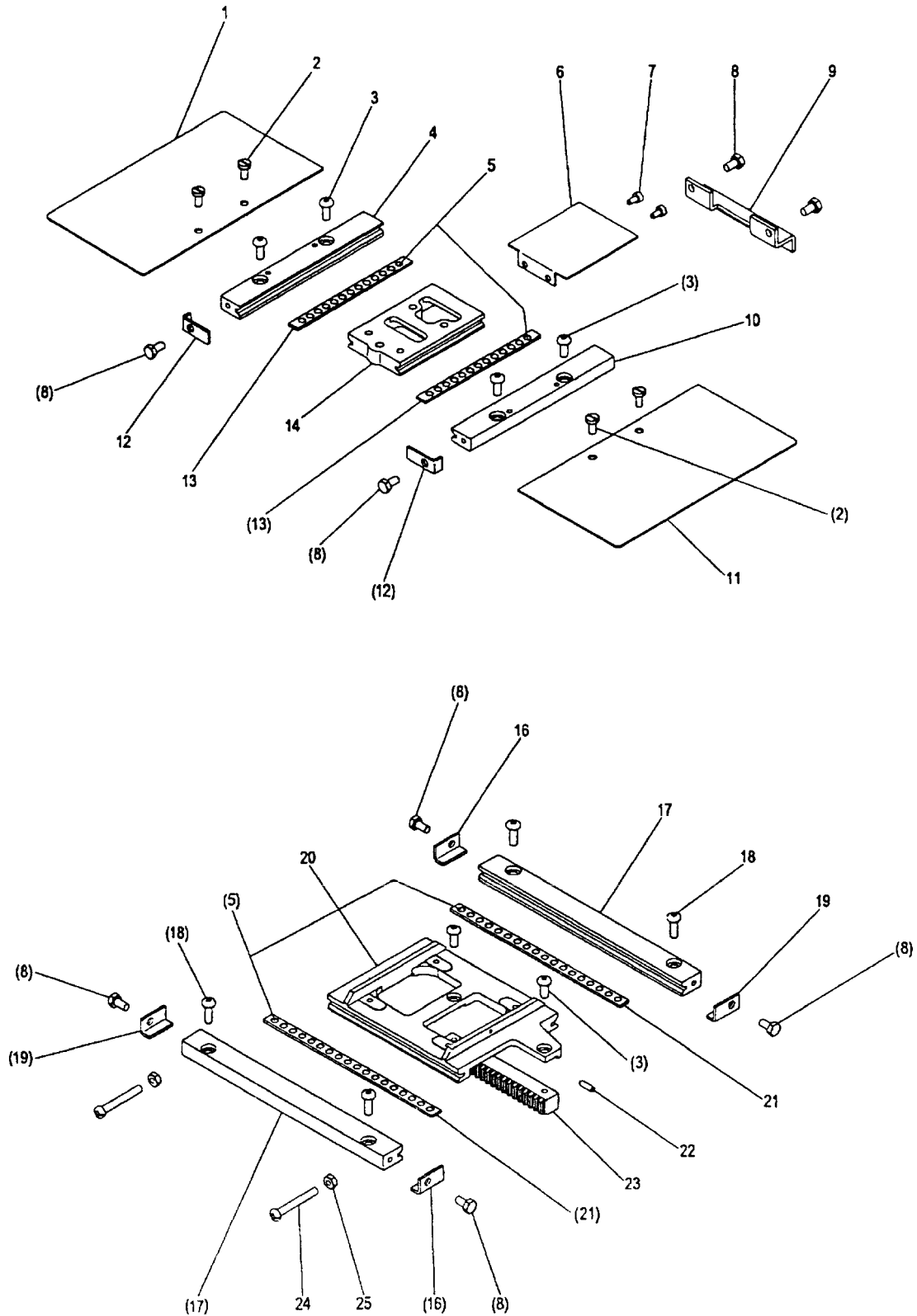
---



## E.X-Y MECHANISM (1)

Fig. No.	Part No.	Description	Pcs.	Remarks
E01	H415050120	Bolt M5×12	8	M5×12
E02	H6686D8001	Washer 5	8	M5
E03	H6646D8001	Motor mounting plate Y	1	
E04	H431040060	Screw M4×6	4	M4×6
E05	H6631D8001	Pinion gear	2	
E06	H6630D8001	Stepping motor	2	
E07	H415040120	Bolt M4×12	8	M4×12
E08	H6650D8001	Rack Y	1	
E09	H415050160	Bolt M5×16	2	M5×16
E10	H6623B8001	Ball bushing 10	2	M10
E11	H6649D8001	Rack adapter Y	1	
E12	HM010D8001	Linear shaft Y	1	
E13	H416040120	Bolt M4×12	3	M4×12
E14	H6684D8001	Washer 4	2	M4
E15	H6636D8001	Ball bearing	1	
E16	H6685D8001	Washer 4	2	M4
E17	H6635D8001	Bearing supporter	1	
E18	H6634D8001	Motor mounting palte X	1	
E19	H6693D8001	Bolt M4×14	2	M4×14

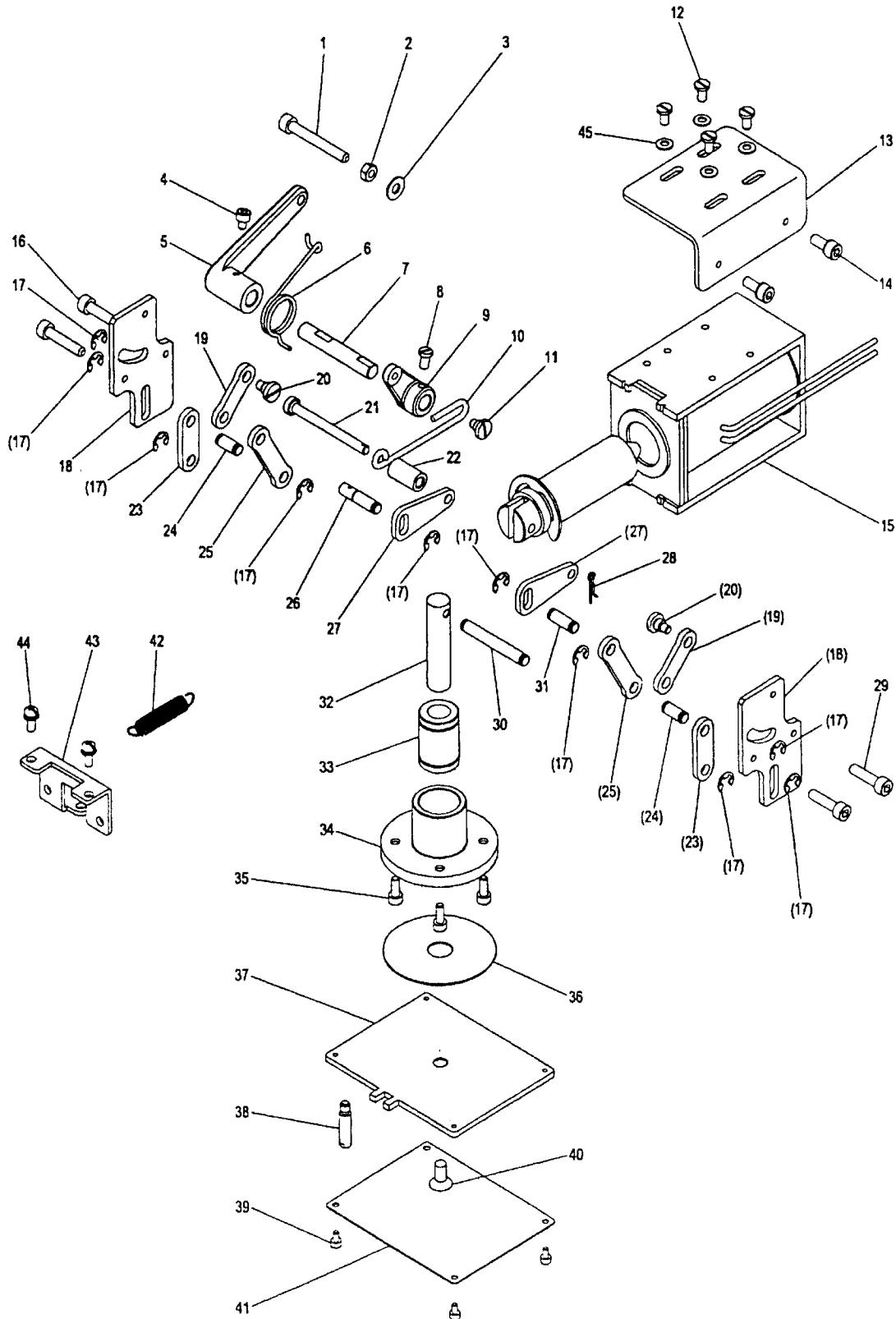
## F.X-Y MECHANISM (2)



## F.X-Y MECHANISM (2)

Fig. No.	Part No.	Description	Pcs.	Remarks
F01	H6685B8001	Cover L	1	
F02	HA70264C06	Screw 9/64(40)×8	4	9/64(40)×8
F03	H416040100	Bolt M4×10	6	M4×10
F04	HM007D8001	Fixed race Y(L)	1	
F05	H6618D8001	Steel ball 5/32	62	5/32
F06	H6623D8001	Cover plate Y	1	
F07	H415030060	Bolt M3×6	2	M3×6
F08	H103040080	Bolt M4×8	8	M4×8
F09	HM008D8001	Rear stopper Y	1	
F10	HM006D8001	Fixed race Y(R)	1	
F11	H6686B8001	Cover R	1	
F12	H6617D8001	Front stopper Y	2	
F13	HM005D8001	Retainer Y	2	
F14	H6619D8001	Movable race Y	1	
F16	H6611D8001	Stopper X	2	
F17	H6609D8001	Fixed race X	2	
F18	H416040120	Bolt M4×12	4	M4×12
F19	H6610D8001	Stopper X	2	
F20	H6606D8001	Movable race X	1	
F21	H6608D8001	Retainer X	2	
F22	H431030100	Screw M3×10	1	M3×10
F23	H6621D8001	Rack X	1	
F24	HZ11040300	Screw M4×30	2	M4×30
F25	H003001040	Nut M4	2	M4

# G.PRESSER FOOT MECHANISM (1)



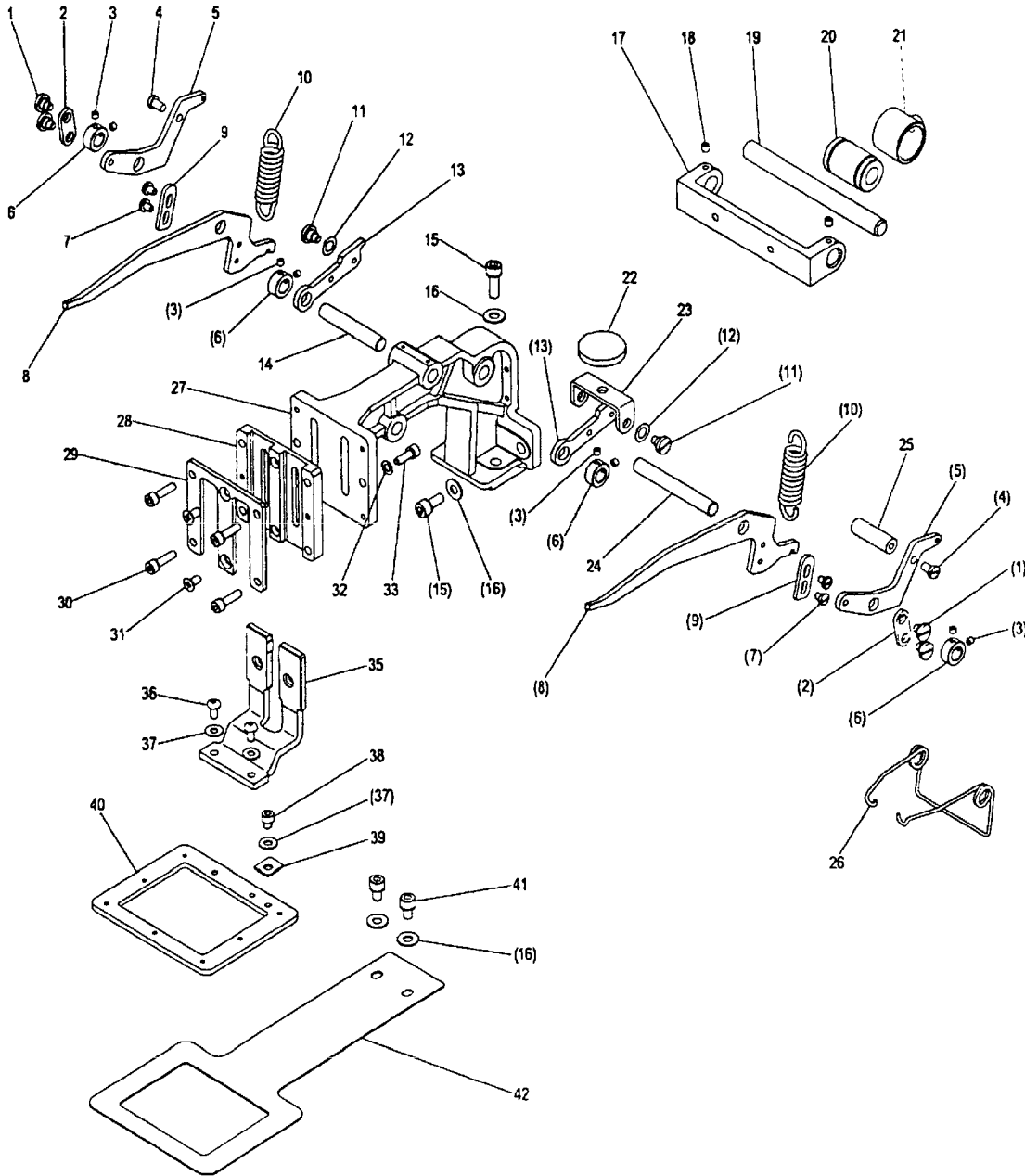
## G.PRESSER FOOT MECHANISM (1)

Fig. No.	Part No.	Description	Pcs.	Remarks
G01	H415050400	Bolt M5×40	1	M5×40
G02	H668DE8001	Nut M5	1	M5
G03	H6686D8001	Washer 5	1	M5
G04	H415040060	Bolt M4×6	1	M4×6
G05	HM051E8001	Lever	1	
G06	HM053E8001	Spring	1	
G07	HM052E8001	Shaft	1	
G08	HA700F2100	Screw 11/64(40)×7	1	11/64(40)×7
G09	HM048E8001	Lever	1	
G10	HM033E8001	Link	1	
G11	HM026E8001	Screw 11/64(40)	1	11/64(40)
G12	HA700B2060	Screw 11/64(40)×8	4	11/64(40)×8
G13	H6608E8001	Bracket	1	
G14	H415050120	Bolt M5×12	2	M5×12
G15	HM029E7101	Solenoid assy	1	
G16	H415050250	Bolt M5×25	2	M5×25
G17	H007013050	E-type retaining ring 5	10	
G18	HM037E8001	Guide plate	2	
G19	HM039E8001	Link A	2	
G20	HM038E8001	Screw 11/64(40)	2	11/64(40)
G21	HM034E8001	Pin	1	
G22	HM035E8001	Collar	1	
G23	HM041E8001	Link B	2	
G24	HM043E8001	Pin C	2	
G25	HM040E8001	Link C	2	
G26	HM044E8001	Pin G	1	
G27	HM042E8001	Link S	2	
G28	H6618E8001	Snap pin R5	1	
G29	H415050200	Bolt M5×20	2	M5×20
G30	HM054E8001	Pin E	1	
G31	HM045E8001	Pin H	1	
G32	HM057E8001	Shaft	1	
G33	H6634B8001	Ball bushing 12	1	Φ 12
G34	HM061E7201	Bushing	1	
G35	H415040080	Bolt M4×8	4	M4×8
G36	HM059E8001	Cushion	1	
G37	HM056E8001	Pressure plate	1	
G38	H6635E8001	Guide pin	1	
G39	H415030050	Bolt M3×5	4	M3×5
G40	H422060120	Bolt M6×12	1	M6×12
G41	HM058E8001	Slide cover	1	
G42	H6645F8001	Spring	1	
G43	HM062E8001	Holder	1	

## G.PRESSER FOOT MECHANISM (1)

Fig. No.	Part No.	Description	Pcs.	Remarks
G44	HZ11040100	Screw M4×10	2	M4×10
G45	H663FE8001	Spring washer 1L-4	4	1L-4

## H.PRESSER FOOT MECHANISM (2)

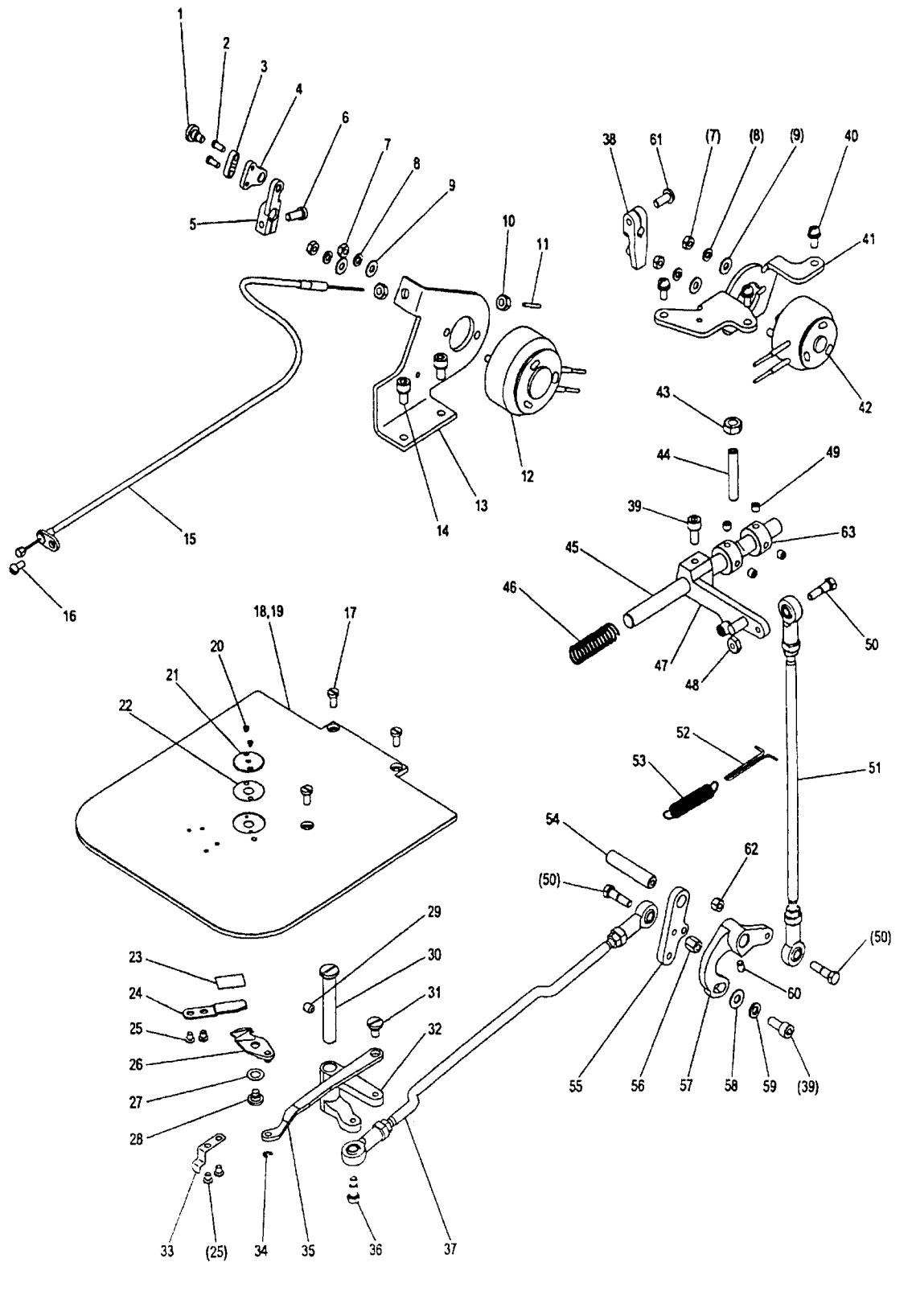




## H.PRESSER FOOT MECHANISM (2)

Fig. No.	Part No.	Description	Pcs.	Remarks
H01	HM010E8001	Screw 11/64(40)	4	
H02	HM019E8001	Link	2	
H03	H3410C3019	Screw 9/64(40) × 3.5	8	9/64(40) × 3.5
H04	HA700F2100	Screw 11/64(40) × 7	2	11/64(40) × 7
H05	HM014E8001	Pressure lever B	2	
H06	HA712N0696	Collar	4	
H07	H6656E8001	Screw 9/64(40) × 5	4	9/64(40) × 5
H08	HM013E8001	Pressure lever A	2	
H09	HM023E8001	Stopper	2	
H10	HM022E8001	Spring	2	
H11	HM026E8001	Screw 11/64(40)	2	11/64(40)
H12	HM025E8001	Wave washer 1417003-41006	2	
H13	HM017E8001	Pressure lever C	2	
H14	HM016E8001	Pin L=46	1	L=46
H15	H415050140	Bolt M5 × 14	4	M5 × 14
H16	H6686D8001	Washer 5	6	M5
H17	HM027E8001	Bracket	1	
H18	H431040050	Screw M4 × 5	2	M4 × 5
H19	H6683E8001	Shaft	1	
H20	H6623B8001	Ball bushing 10	1	Φ 10
H21	H6682E8001	Bearing housing	1	
H22	HM024E8001	Slider	1	
H23	HM018E8001	Bracket	1	
H24	HM016E8002	Pin L=60	1	L=60
H25	HM020E8001	Connecting shaft	1	
H26	HM015E8001	Spring	1	
H27	HM012E8001	Work holder arm	1	
H28	HM011E8001	Work holder guide	1	
H29	HM008E8001	Cover	1	
H30	H415040160	Bolt M4 × 16	4	M4 × 16
H31	H660JB8001	Screw M4 × 8	2	M4 × 8
H32	H6684D8001	Washer 4	2	M4
H33	H415040120	Bolt M4 × 12	2	M4 × 12
H35	HM007E8001	Clamp foot	1	
H36	H416040080	Bolt M4 × 8	2	M4 × 8
H37	H6685D8001	Washer 4	3	M4
H38	H415040050	Bolt M4 × 5	1	M4 × 5
H39	H666GE8001	Clamp stopper	1	
H40	HM006E7101	Clamp frame	1	
H41	HA19041852	Bolt M5 × 8	2	M5 × 8
H42	HM004E8001	Feed plate	1	

# I.THREAD TRIMMING MECHANISM



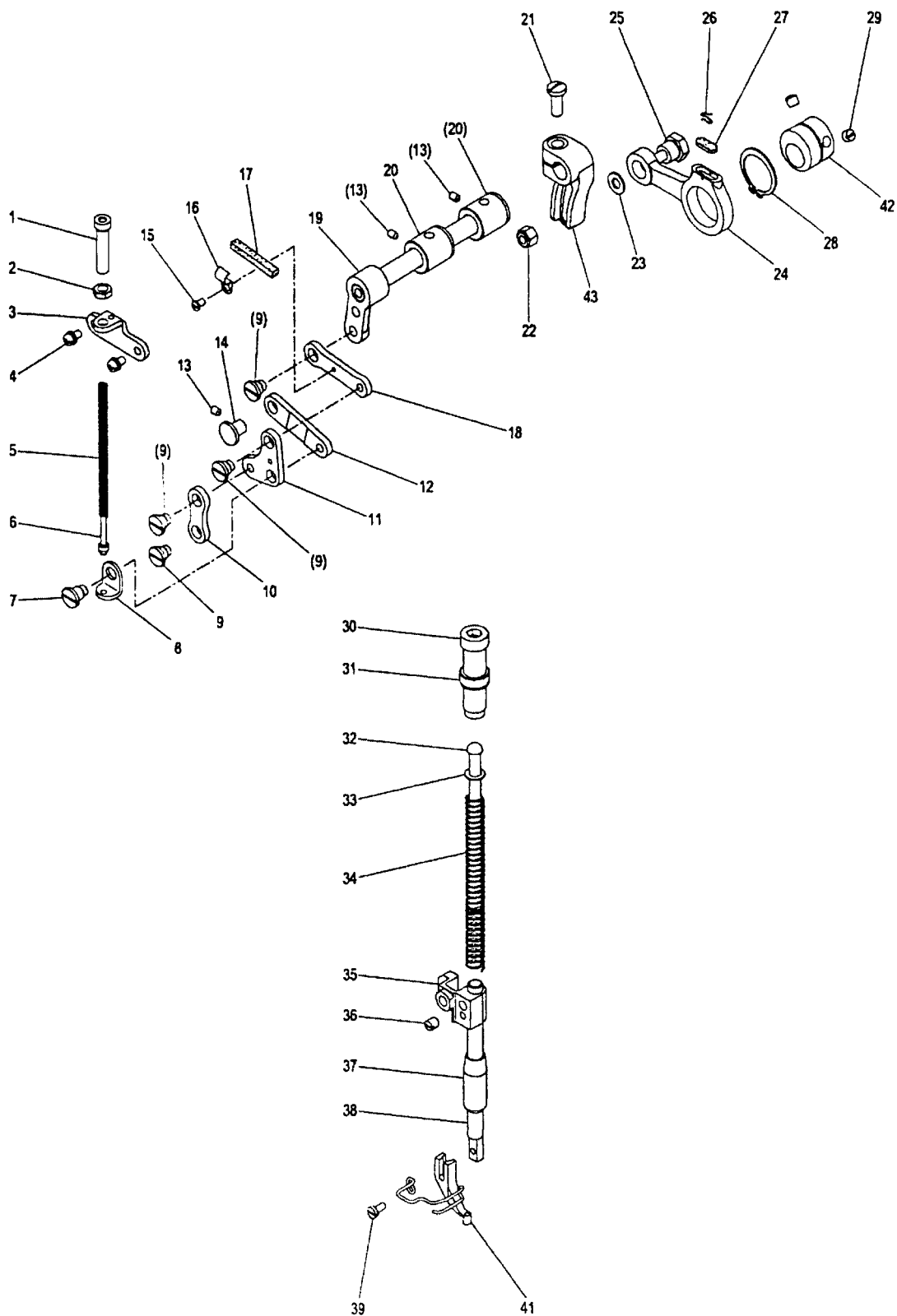
## I.THREAD TRIMMING MECHANISM

Fig. No.	Part No.	Description	Pcs.	Remarks
I01	HM038E8001	Screw 11/64(40)	1	11/64(40)
I02	HA712N6912	Screw 1/8(44) × 7	2	1/8(44) × 7
I03	HA712N6911	Holder	1	
I04	HM010G8001	Bracket	1	
I05	HM011G8001	Crank	1	
I06	HA111G0683	Screw 11/64(40) × 12	1	
I07	H6683D8001	Nut M4	4	M4
I08	H6613F8001	Spring washer 4	4	M4
I09	H6685D8001	Washer 4	4	M4
I10	H668DE8001	Nut M5	2	M5
I11	HM020G8001	Pipe	1	
I12	HM012G7101	Solenoid(thread release)	1	
I13	HM009G8001	Solenoid bracket	1	
I14	H415050100	Bolt M5 × 10	2	M5 × 10
I15	HM016G7101	Flexible wire assy	1	
I16	HZ11040080	Screw M4 × 8	1	M4 × 8
I17	H6623C8001	Screw M4 × 8	4	M4 × 8
I18	HM007G8001	Slide plate	1	
I19	H6686J8001	Film sheet	1	
I20	H6675F8001	Screw 3/32(56) × 2.8	2	3/32(56) × 2.8
I21	H6676F8001	Needle plate	1	
I22	H6677F8001	Spacer	1	
I23	H6695F8001	Spacer	1	
I24	H6673F8001	Fixed knife	1	
I25	H6692B8001	Screw 9/64(40) × 3.2	4	9/64(40) × 3.2
I26	H6671F8001	Movable knife	1	
I27	H6679F8001	Wave washer 6	1	M6
I28	H6678F8001	Screw 11/64(40)	1	11/64(40)
I29	H661CB8001	Screw M5 × 8	1	M5 × 8
I30	H6664F8001	Stepped pin	1	
I31	H6666F8001	Screw 3/16(28)	1	3/16(28)
I32	H6658F8001	Knife driving crank (3)	1	
I33	H6680F8001	Leaf spring	1	
I34	H007013025	E-type retaining ring 2.5	1	M2.5
I35	H6667F8001	Link	1	
I36	H6659F8001	Bolt 11/64(40)	1	11/64(40)
I37	H6662F8001	Connecting rod(horizontal)	1	
I38	H6611F8001	Crank	1	
I39	H415050120	Bolt M5 × 12	2	M5 × 12
I40	HZ11040100	Screw M4 × 10	3	M4 × 10
I41	H6609F8001	Solenoid bracket	1	
I42	H6615F7101	Solenoid (thread trim)	1	
I43	H003001060	Nut M6	1	M6

## I.THREAD TRIMMING MECHANISM

Fig. No.	Part No.	Description	Pcs.	Remarks
I44	H431060350	Screw M6×35	1	M6×35
I45	H6622F8001	Shaft	1	
I46	H6623F8001	Spring	1	
I47	H6635F7101	Cam follower assy	1	
I48	H6641F8001	Nut 11/64(40)	1	11/64(40)
I49	H431050050	Screw M5×5	4	M5×5
I50	H6644F8001	Bolt 11/64(40)	3	11/64(40)
I51	H6634F8001	Connecting rod (vertical)	1	
I52	H6646F8001	Hook	1	
I53	H6645F8001	Spring	1	
I54	H6654F8001	Shaft	1	
I55	H6653F8001	Knife driving crank(2)	1	
I56	H6643F8001	Long nut 11/64(40)	1	11/64(40)
I57	H6651F8001	Knife driving crank(1)	1	
I58	HA300J2230	Washer 5	1	M5
I59	H6694F8001	Spring washer 5	1	M5
I60	HA100B2110	Screw 11/64(40)×5.5	1	11/64(40)×5.5
I61	H416050120	Bolt M5×12	1	M5×12
I62	H6642F8001	Nut 11/64(40)	1	11/64(40)
I63	H6625F8001	Collor	1	

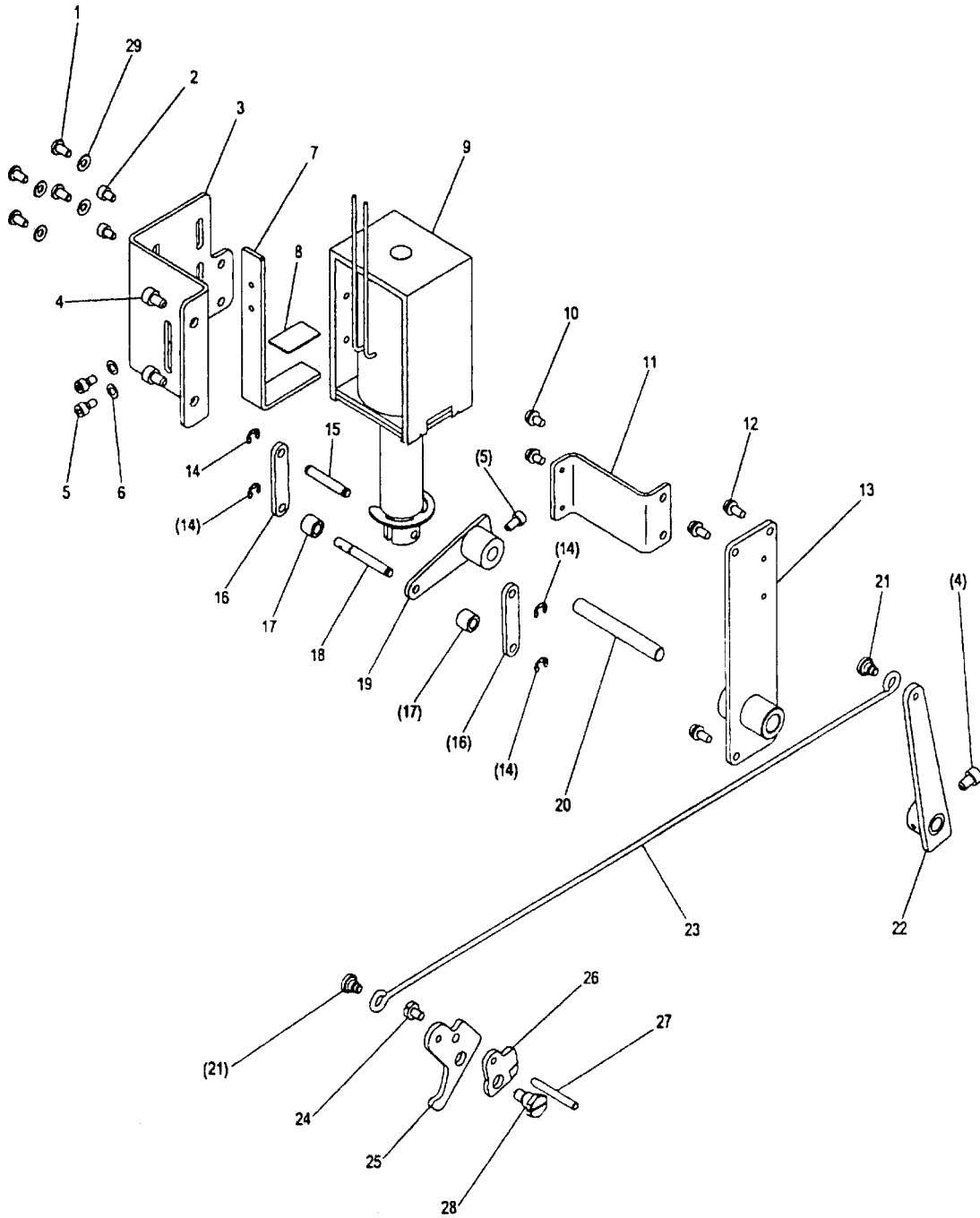
# J.CENTER PRESSER FOOT MECHANISM



## J.CENTER PRESSER FOOT MECHANISM

Fig. No.	Part No.	Description	Pcs.	Remarks
J01	H2010J0065	Thumb screw 9/32 (28) × 35	1	
J02	H2010J0066	Nut 9/32 (28)	1	9/32 (28)
J03	HM018F8001	Bracket	1	
J04	H6642B8001	Screw M4×8	2	M4×8
J05	HM022F7201	Spring	1	
J06	H2000J2040	Spring guide bar	1	
J07	HM016F8002	Screw 1/4 (40)	1	1/4 (40)
J08	HM015F8001	Supporter	1	
J09	HM016F8001	Screw 1/4 (40)	4	1/4 (40)
J10	HM014F8001	Link	1	
J11	HM011F8001	Ball crank	1	
J12	HM013F8001	Link	1	
J13	H431040100	Screw M4×10	3	M4×10
J14	H660FB8001	Pin	1	
J15	HA106B7101	Screw 9/64 (40) × 6	1	9/64 (40) × 6
J16	H3200K0190	Holder	1	
J17	H2000M0080	Felt	1	
J18	HM012F8001	Link	1	
J19	HM007F7101	Arm-shaft assy	1	
J20	HM006B8001	Bushing	2	
J21	H2012N0652	Screw 1/4 (40) × 16	1	1/4 (40) × 16
J22	HS91165206	U-nut 6×0.75	1	6×0.75
J23	H2013J0065	Washer 6	1	M6
J24	HM005F8001	Crank rod	1	
J25	H2000J2100	Bolt M6	1	M6
J26	H20111C106	Holder	1	
J27	H2014J0068	Felt	1	
J28	H007009250	C-type retaining ring 25	1	M25
J29	HA307C0662	Screw 1/4 (40) × 6	2	1/4 (40) × 6
J30	HA309H0681	Thumb screw 1/2 (28) × 43	1	
J31	HA107H0692	Nut 1/2 (28)	1	1/2 (28)
J32	HM025F8001	Presser bar guide	1	
J33	H6654B8001	Washer 6	1	M6
J34	HM026F8001	Spring	1	
J35	H6027H8001	Presser bar holder	1	
J36	HA3411D308	Screw 12/64 (28) × 6	1	12/64 (28) × 6
J37	HA100H2090	Bushing	1	
J38	HM029F8001	Presser bar	1	
J39	H2000I2050	Screw 9/64 (40) × 8	1	9/64 (40) × 8
J40	HM027F8001	Presser foot Φ3	1	Φ3
J41	H2014J0652	Crank	1	
J42	H2100I2010	Arm	1	

# K.CENTER PRESSER FOOT LIFT MECHANISM



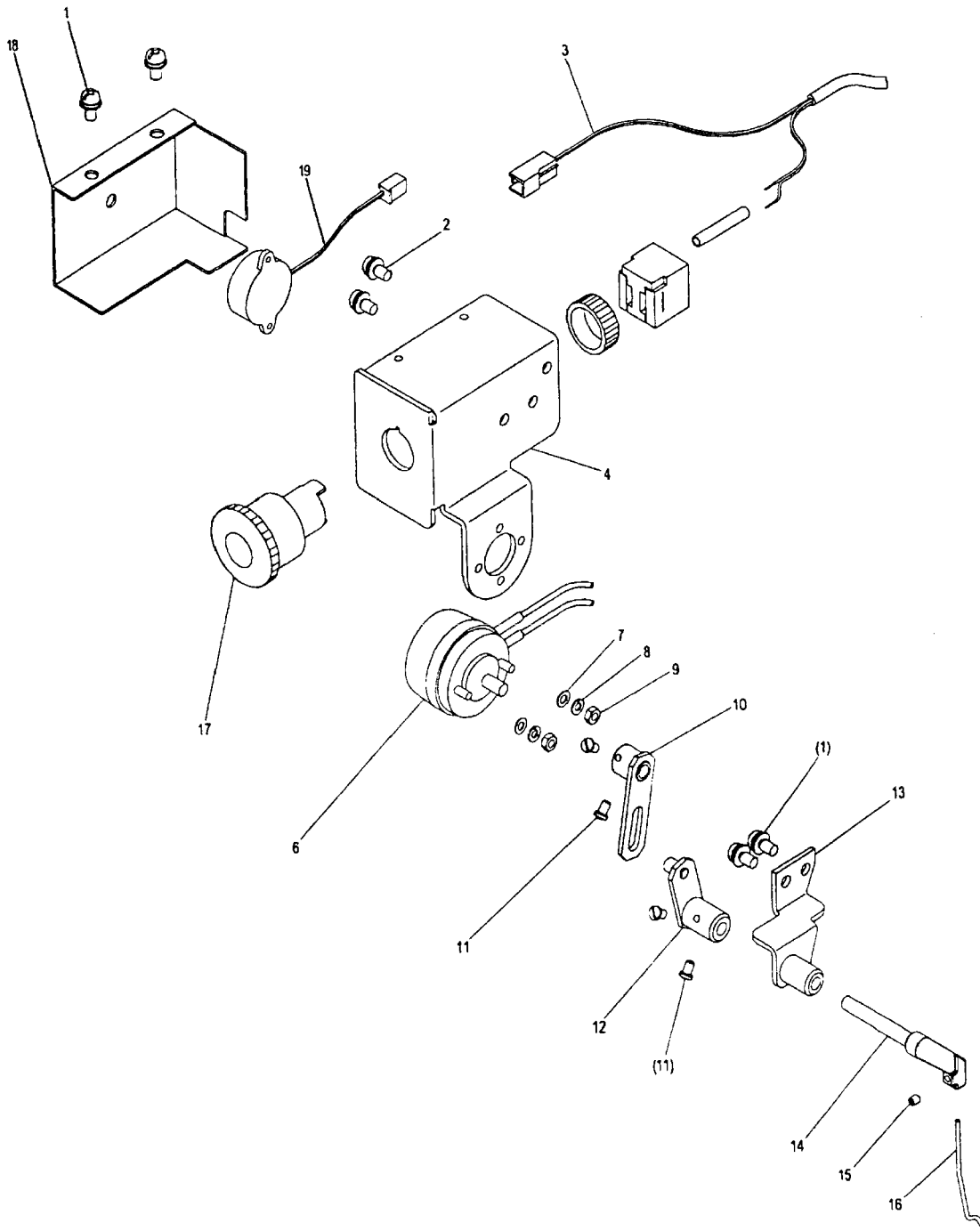
## K.CENTER PRESSER FOOT LIFT MECHANISM

Fig. No.	Part No.	Description	Pcs.	Remarks
K01	HA700B2060	Screw 11/64(40)×8	4	11/64(40)×8
K02	HZ11040060	Bolt M4×6	2	M4×6
K03	HM044F8001	Bracket	1	
K04	H415050080	Bolt M5×8	3	M5×8
K05	H415040080	Bolt M4×8	3	M4×8
K06	H6685D8001	Washer 4	2	M4
K07	HM045F8001	Stopper	1	
K08	HM049F8001	Rubber cushion	1	
K09	HM040F7101	Solenoid assy	1	
K10	HZ11040080	Screw M4×8	2	M4×8
K11	HM050F8001	Supporter	1	
K12	HZ11040100	Screw M4×10	4	M4×10
K13	HM051F7101	Base plate assy	1	
K14	H007013040	E-type retaining ring 4	4	M4
K15	HM037F8001	Pin	1	
K16	HM046F8001	Link	2	
K17	HM048F8001	Collar	2	
K18	HM038F8001	Pin	1	
K19	HM047F8001	Lever	1	
K20	HM057F8001	Shaft	1	
K21	HA107H0662	Screw 3/16(28)	2	3/16(28)
K22	HM055F8001	Lever	1	
K23	HM034F8001	Link	1	
K24	HA107H1013	Screw 11/64(40)×6.5	1	11/64(40)×6.5
K25	HM036F8001	Lifting lever	1	
K26	HA107H1012	Plate cam	1	
K27	HA100H2050	Pin	1	
K28	HA100H2050	Bolt 15/64(28)	1	15/64(28)
K29	H663FE8001	Spring washer 1L-4	4	1L-4



# L.WIPER MECHANISM

---

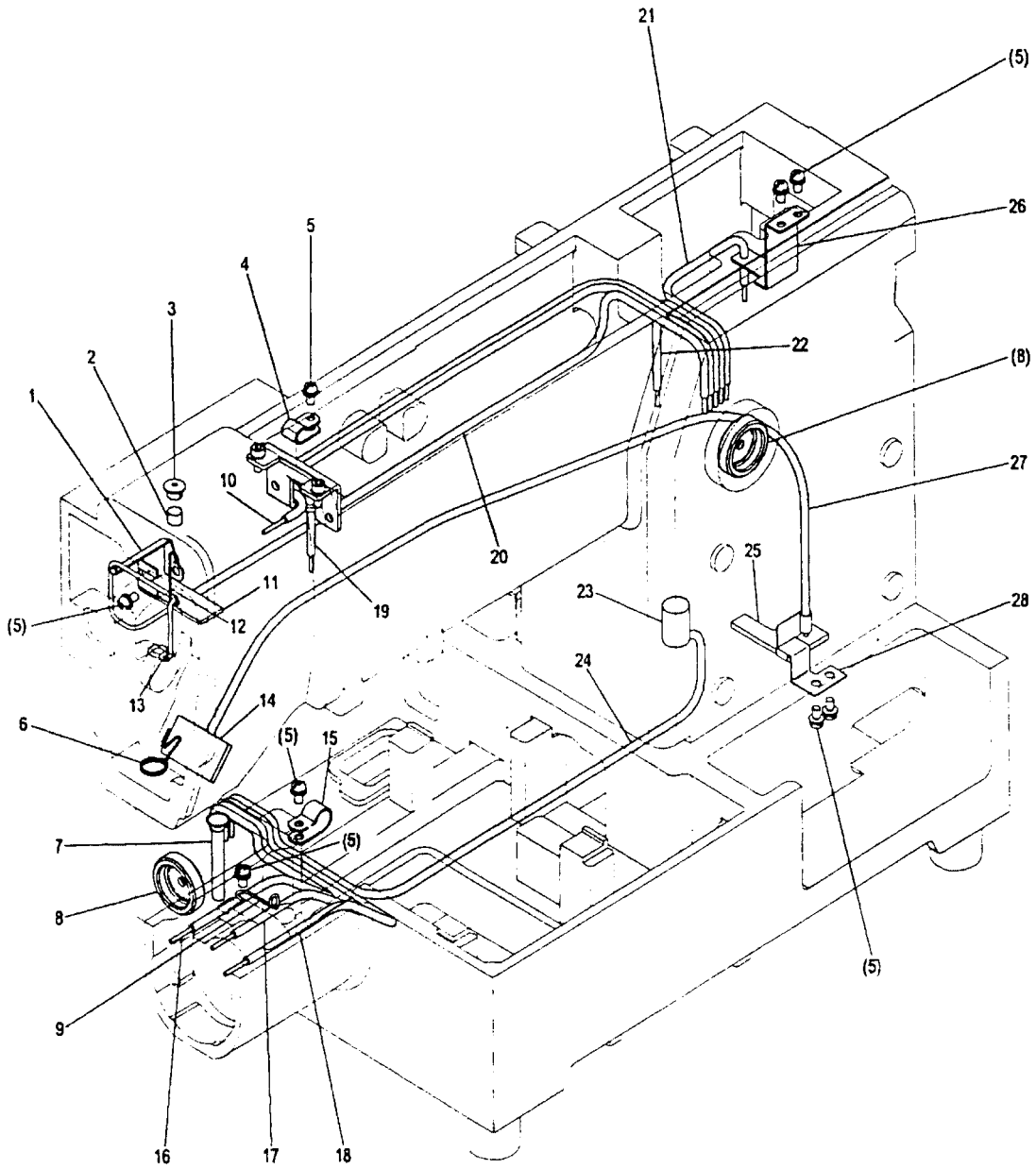


## L.WIPER MECHANISM

Fig. No.	Part No.	Description	Pcs.	Remarks
L01	HZ11040080	Screw M4×8	4	M4×8
L02	HZ11040100	Screw M4×10	4	M4×10
L03	HM021H7101	Cable (stop BZ)	1	
L04	HM013H8001	Bracket	1	
L05	H6642I8001	Lock ring	1	
L06	HM015H7101	Solenoid (wiper)	1	
L07	H668CE8001	Washer 3	2	M3
L08	H668BE8001	Spring washer 3	2	M3
L09	H003001030	Nut M3	2	M3
L10	HM009H8001	Wiper crank 1	1	
L11	H6643C8001	Screw 1/8(44)×4.5	4	1/8(44)×4.5
L12	HM031H8001	Wiper crank 2	1	
L13	HM024H7101	Wiper adapter	1	
L14	HM027H8001	Wiper shaft	1	
L15	H431030040	Screw M3×4	1	M3×4
L16	HM029H8001	Wiper	1	
L17	H6636I8001	Push button	1	
L18	HM006H8001	Cover	1	
L19	HM007H7101	Buzzer assy	1	

# M.OIL LUBRICATION MECHANISM

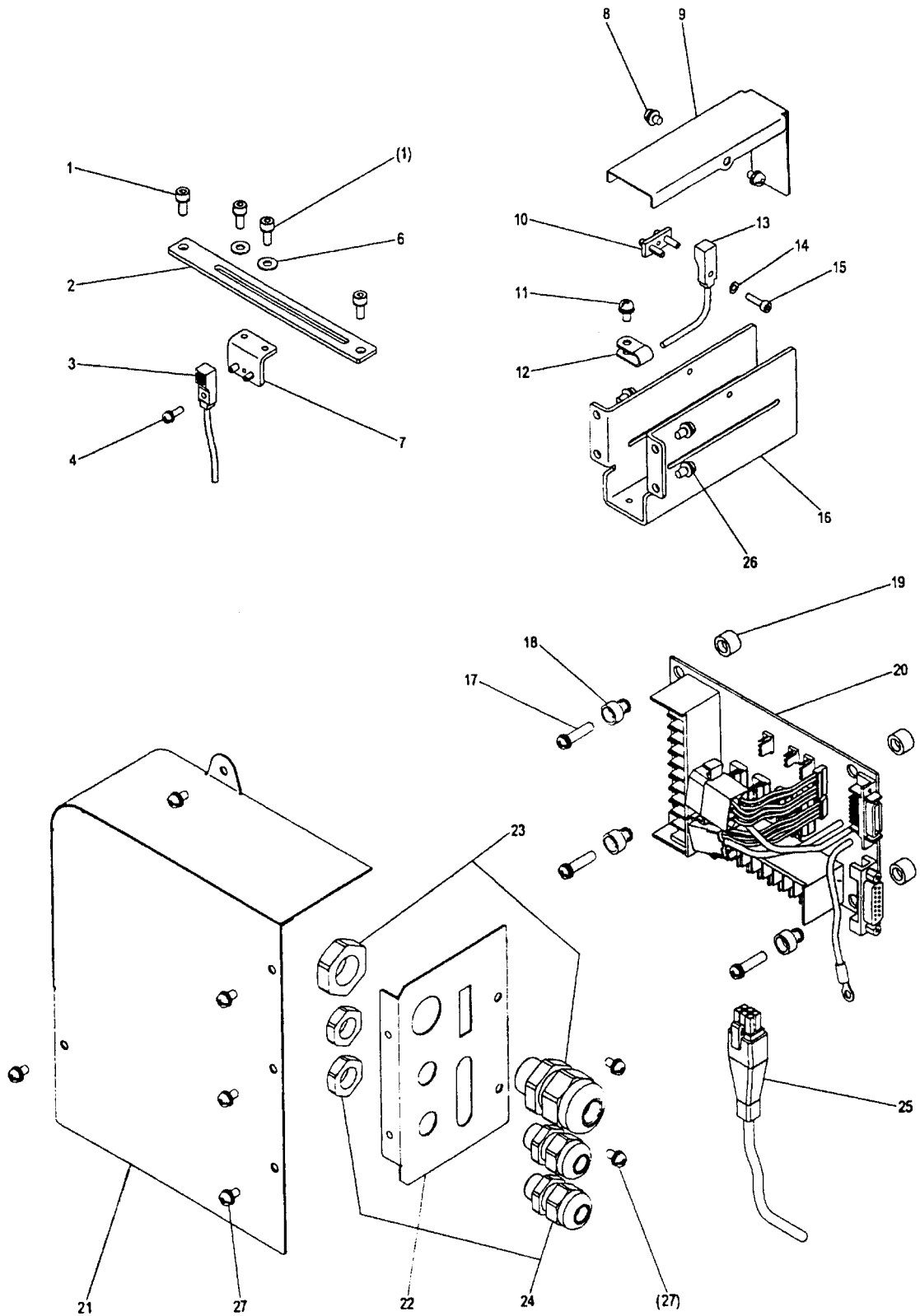
---



## M.LUBRICATION MECHANISM

Fig. No.	Part No.	Description	Pcs.	Remarks
M01	H6611H8001	Holder	1	M4×8
M02	H6646H8001	Felt	1	
M03	H2000M0090	Cap	1	
M04	H6679D8001	Nylon clip AB-3N	1	
M05	HZ11040080	Screw M4×8	8	
M06	HA300I2060	Holder	1	
M07	H6613H8001	Pipe	1	
M08	H6614H8001	Oil gauge	2	
M09	H6612H8001	Holder	1	
M10	H6616H7101	Oil pipe assy(F)	1	
M11	H6634H8001	Felt	1	
M12	HM008I8001	Holder	1	
M13	H3200G2030	Holder	1	
M14	H6641H8001	Felt	1	
M15	H6648I8001	Nylon clip AB-6N	1	
M16	H6619H7101	Oil pipe assy(hook left)	1	
M17	H6622H7101	Oil pipe assy(hook center)	1	
M18	H6625H7101	Oil pipe assy(hook right)	1	
M19	H6628H7101	Oil pipe assy(eccentric cam)	1	
M20	HM005I7101	Oil pipe assy(needle bar)	1	
M21	H6635H7101	Oil pipe assy(connect rod)	1	
M22	H6638H7101	Oil pipe assy(C)	1	
M23	H6634H8001	Felt	1	
M24	H6642H7101	Oil pipe assy(R)	1	
M25	H6606H8001	Felt	1	
M26	H6609H8001	Holder	1	
M27	H6631H7101	Oil pipe assy(circulation)	1	
M28	H6605H8001	Holder	1	

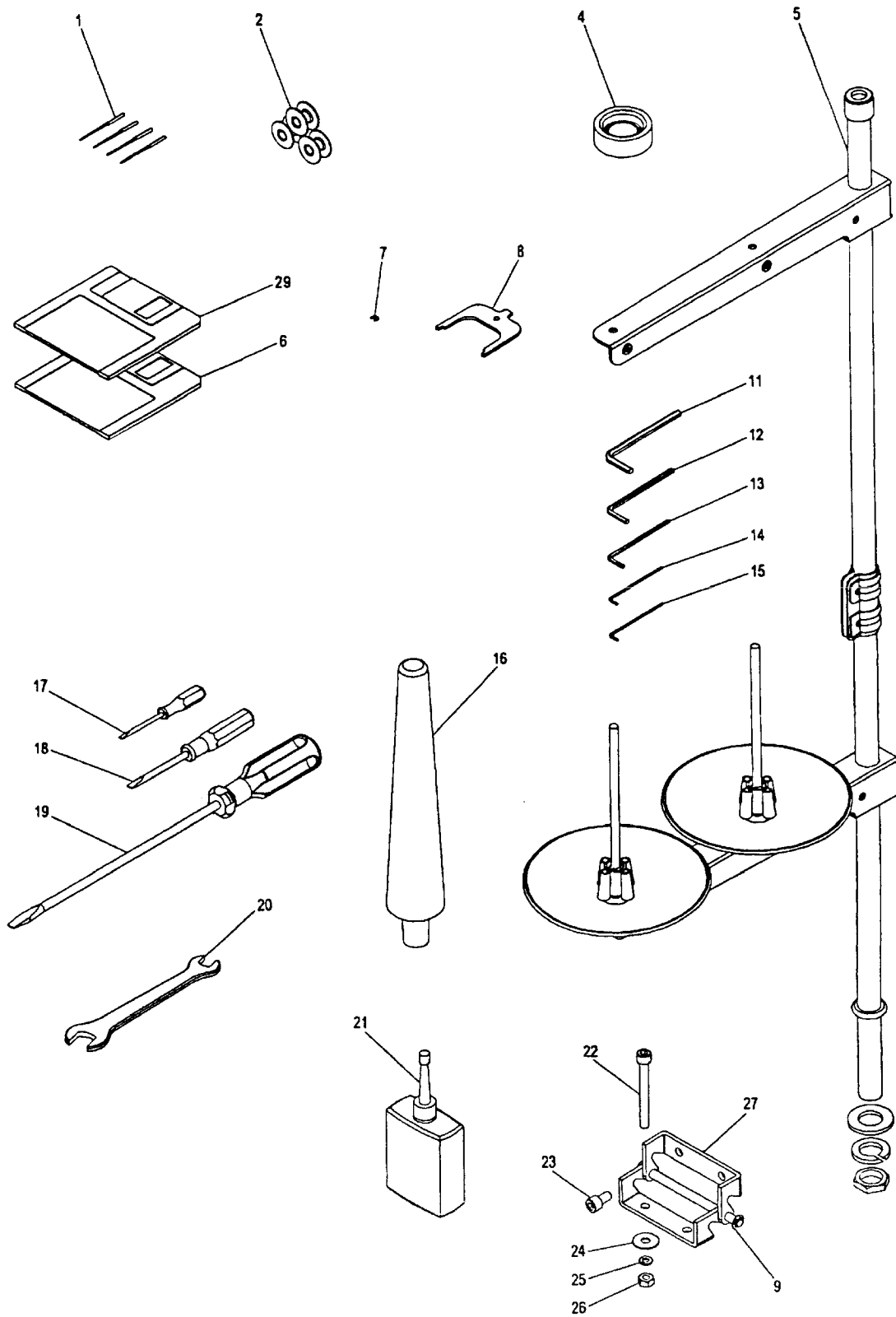
# N.ELECTRICAL PARTS



## N.ELECTRICAL PARTS

Fig. No.	Part No.	Description	Pcs.	Remarks
N01	H415040100	Bolt M4×10	4	M4×10
N02	H6656D8001	Detector X mouting plate	1	
N03	H6658D8001	Detector X	1	
N04	HZ11030100	Screw M3×10	1	M3×10
N05	H6684D8001	Washer 4	2	M4
N06	H6657D8001	Holder plate assy X	1	
N07	HA19039333	Screw M4×6	2	M4×6
N08	H6666D8001	Detector cover Y	1	
N09	H6676D7101	Holder plate assy Y	1	
N10	HA19039334	Screw M4×8	1	M4×8
N11	H6679D8001	Nylon clip AB-3N	1	
N12	H6670D8001	Detector Y	1	
N13	H668CE8001	Washer 3	1	M3
N14	H415030120	Bolt M3×12	1	M3×12
N15	H6665D8001	Detector bracket Y	1	
N16	HZ11040200	Screw M4×20	4	M4×20
N17	H6607I8001	Nylon bush	4	
N18	H6608I8001	Nylon bush	4	
N19	H6606I8001	Print circuit board	1	
N20	H6611I8001	Circuit board cover	1	
N21	H6634I8001	Connector panel	1	
N22	H6640I8001	Cord bushing(large)	1	
N23	H6637I8001	Cord bushing(small)	2	
N24	H6631I8001	Cable(Encoder)	1	
N25	HZ11040100	Screw M4×10	4	M4×10
N26	HZ11040080	Screw M4×8	7	M4×8

# O.ACCESSORIES (1)



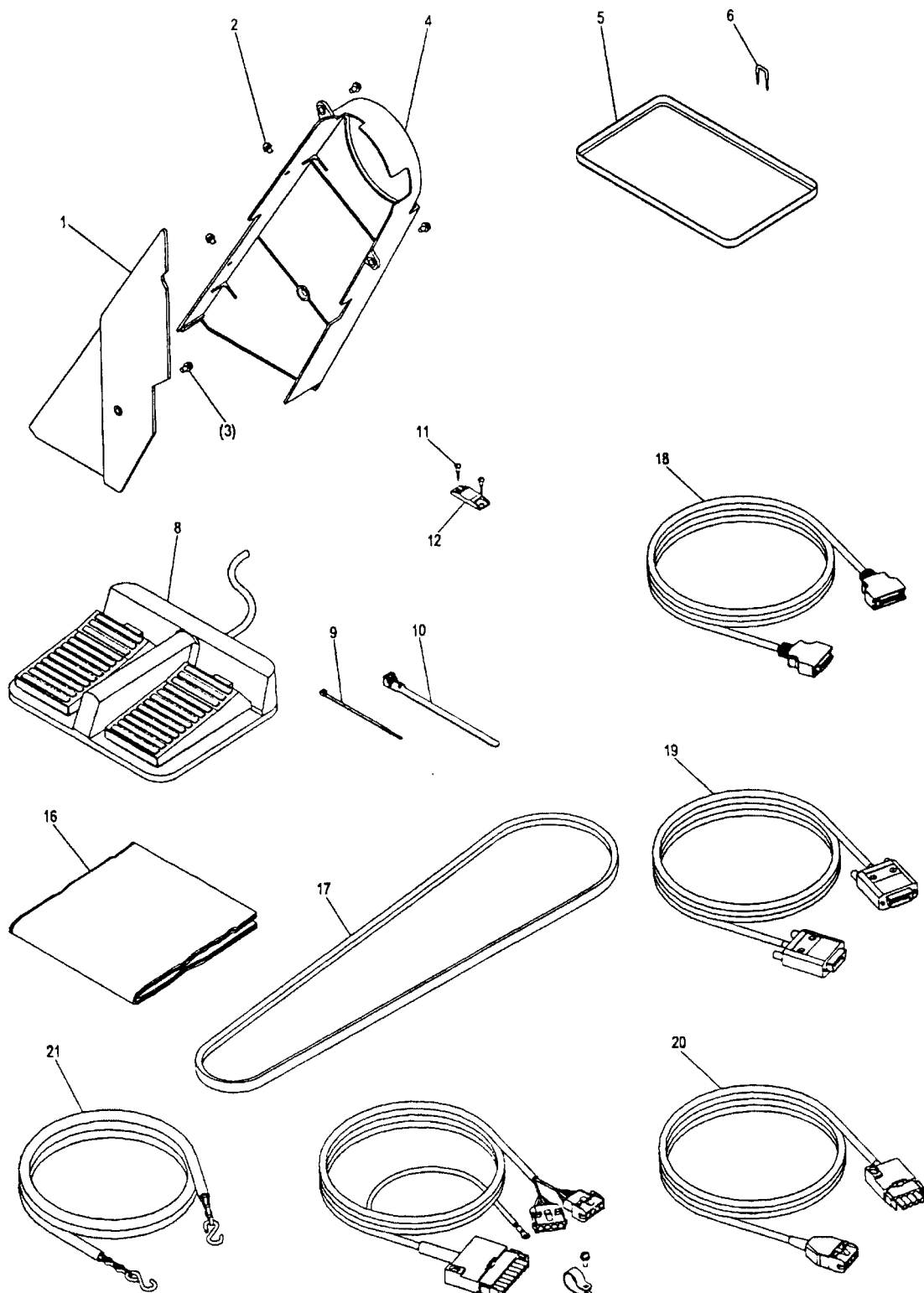
## O.ACCESSORIES (1)

Fig. No.	Part No.	Description	Pcs.	Remarks
001	HM010C8001	Neddle DPX×17#18	4	DXP×17#18
002	H6656C8001	Bobbin	3	
004	H6658B8001	Rubber cushion	4	
005	HA300J2370	Cotton stand assy	1	
007	H007013025	E-type retaining ring 2.5	5	M2.5
008	HA704S0654	Speed command disk plate	1	
009	HM006K8001	Fuse	2	
011	H6611J8001	Hexagonal wrench 4	1	M4
012	H3200L0060	Hexagonal wrench 3	1	M3
013	H3200L0050	Hexagonal wrench 2.5	1	M2.5
014	H6612J8001	Hexagonal wrench 1.5	1	M1.5
015	H3200L0070	Hexagonal wrench 1/16"	1	M1/16"
016	H6620J8001	Head rest	1	
017	HA300J2210	Screw drive(small)	1	
018	HA300J2200	Screw drive(middle)	1	
019	HA300J2070	Screw drive(large)	1	
020	HA300J2220	Spanner 10-14	1	M10-14
021	H200400069	Oiler with oil	1	
022	H415060550	Bolt M6×55	4	M6×55
023	H415060120	Bolt M6×12	4	M6×12
024	H6642J8001	Washer 6.5-18	4	6.5-18
025	H005008060	Spring washer 6	4	M6
026	H003001060	Nut M6	4	M6
027	H6639J8001	Hinge	2	
028	H007013050	E-type retaining ring 5	2	M5



## P.ACCESSORIES (2)

---



## P.ACCESSORIES (2)

Fig. No.	Part No.	Description	Pcs.	Remarks
P01	H6624J8001	Belt cover	1	
P02	HA19039335	Screw M4×6	5	M4×6
P04	H6626J7101	Belt cover	1	
P05	H6621J8001	Oil pan	1	
P06	H6618J8001	Staple	4	
P07	HM015K8001	Film sheet	1	
P08	HM027K8001	Foot switch	1	
P09	H6632J8001	Cord tie	1	
P10	H6622J8001	Cord tie	2	
P11	H6628J8001	Wooden screw 3.1×16	4	M3.1×16
P12	H6627J8001	Tie holder	2	
P13	HZ11040100	Screw M4×10	2	M4×10
P14	H6647H8001	Nylon clip AB-10N	1	
P15	H6695J8001	Nylon clip AB-8N	1	
P16	H6619J8001	Polyethylene cover	1	
P17	H6667J8001	V-belt M49	1	
P18	H6646J8001	Cable(input singal)	1	
P19	H6647J8001	Cable(solenoid)	1	
P20	H6648J8001	Cable(servo motor)	1	
P21	HM012K7101	Chain	1	